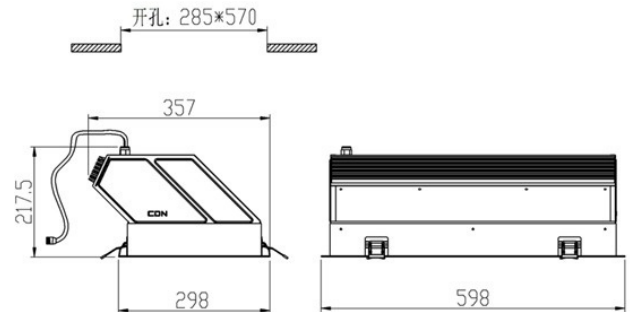


## SPL-02 RECTANGLE SKYLIGHT



### SPECIFICATIONS

CCT	1800-10000K
BEAM ANGLE	76°
SDCM	N/A
COLOR RENDERING INDEX	RA≥80
WATTAGE	160W
INPUT VOLTAGE	100-277V
LUMENS	6000lm
DIMMING OPTION	AUTOMATIC DYNAMIC
DIMMING RANGE	1%~100%
LIFE SPAN	50000H
LIGHT SOURCE TYPE	LED
NUMBER OF LIGHT SOURCES	1
MOUNTING TYPE	RECESSED
PRODUCT DIMENSIONS	L23.54" x W11.7" x H8.5"
MATERIAL	ALUMINUM, PLASTIC
COLOR	WHITE
SURFACE PROCESSES	N/A
NET WEIGHT (PIECE)	N/A
IP RATING	IP40

### DESCRIPTION

Introducing Skylight, an innovative smart artificial skylight designed to transform your indoor space. Controlled effortlessly via two button wall mount control panel, this cutting-edge technology offers an extensive color temperature range from 1800K to 10000K, mirroring the natural shifts of the sky throughout the day.

-Control Setup: Setup is straightforward, and operation is user-friendly. Use the first button to cycle through sky-like color temperatures, and the second to switch off. The light adjusts dynamically on its own, no internet connection required.

-Enhanced Well-Being: Beyond aesthetics, Skylight goes the extra mile to support your wellbeing. Its carefully calibrated lighting contributes to a healthier circadian rhythm. It boosts energy and mood levels, regulates sleep patterns, and enhances cognitive function. This lighting system mimics natural sunlight, creating a more authentic and relaxing atmosphere whether illuminating walls or plants.

-Driver & Control Panel Included.

Daylight Simulation Schedule:

- Early Morning (6:00 AM - 9:00 AM)
- Morning (9:00 AM - 12:00 PM)
- Midday (12:00 PM - 2:00 PM)
- Early Afternoon (2:00 PM - 4:00 PM)
- Late Afternoon (4:00 PM - 6:00 PM)
- Evening (6:00 PM - 8:00 PM)
- Night (8:00 PM - 11:00 PM)
- Late Night/Early Morning (11:00 PM - 6:00 AM)

