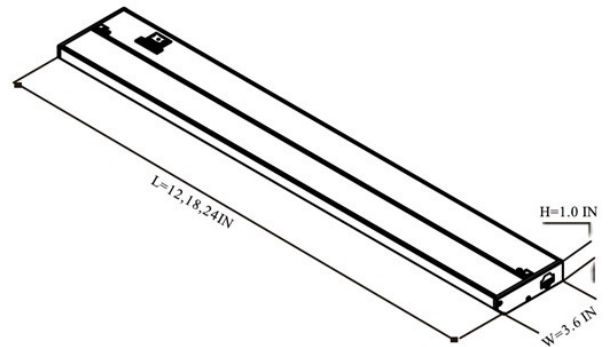


## LL-06 UNDERCABINET LIGHT



### SPECIFICATIONS

CCT	27/30/35/40/50K
BEAM ANGLE	110°
SDCM	SDCM $\geq$ 7
COLOR RENDERING INDEX	RA $\geq$ 90
WATTAGE	3-24W
INPUT VOLTAGE	120VAC
LUMENS	24lm/inch
DIMMING OPTION	TRIAC
DIMMING RANGE	10%~100%
LIFE SPAN	50000H
LIGHT SOURCE TYPE	LED
NUMBER OF LIGHT SOURCES	1
MOUNTING TYPE	SURFACE
PRODUCT DIMENSIONS	L12/18/24" x W3.6" x H1"
MATERIAL	ALUMINUM, PC
COLOR	WHITE/BLACK
SURFACE PROCESSES	PAINTING
NET WEIGHT (PIECE)	1.21KG
IP RATING	IP44

### DESCRIPTION

The lighting fixture features a durable extruded aluminum housing, ensuring excellent heat dissipation, while the full-length polycarbonate lens delivers smooth and even lighting. With a built-in driver, no transformer or adapter is required for installation. The fixture offers a rocker hi/low switch for adjusting brightness levels (100% and 50%), and a CCT slider switch controls five color temperatures (2700K, 3000K, 3500K, 4000K, and 5000K). Its low-profile design makes it ideal for kitchen installations, and it operates at 120V with both plug and hardwired options included. Additionally, the fixture allows linking up to 200W together and boasts smooth dimming capabilities ranging from 10% to 100%.

6ft Power cord	
Linking cord (12in to 72in)	
Junction box	

