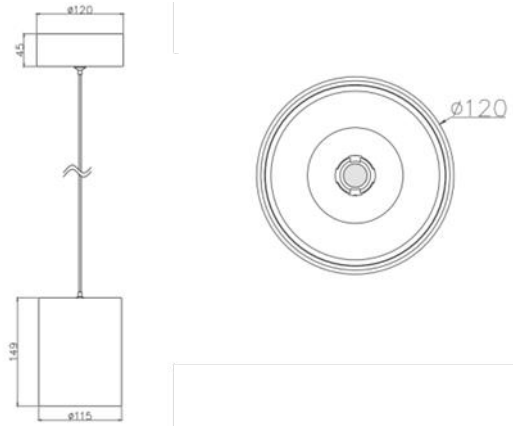


DL-05b CYLINDER PENDANT LIGHT

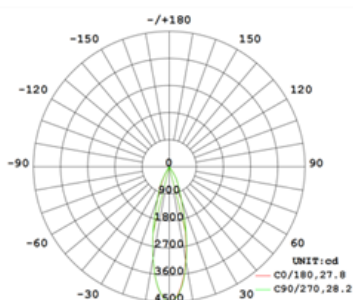


SPECIFICATIONS

CCT	3000/4000/5000K
BEAM ANGLE	24°
SDCM	SDCM \geq 6
COLOR RENDERING INDEX	RA \geq 90
WATTAGE	20W
INPUT VOLTAGE	AC100-277V
LUMENS	1300lm
DIMMING OPTION	0-10V
DIMMING RANGE	N/A
LIFE SPAN	50000H
LIGHT SOURCE TYPE	LED (COB)
NUMBER OF LIGHT SOURCES	1
MOUNTING TYPE	PENDANT
PRODUCT DIMENSIONS	H 5.86 x Dia 4.53inch
MATERIAL	ALUMINUM
COLOR	WHITE/BLACK
SURFACE PROCESSES	SAND BLACK/WHITE
NET WEIGHT (PIECE)	1.215KG
IP RATING	IP20

DESCRIPTION

The cylinder light incorporates an advanced die-casting procedure, ensuring reliable heat dissipation and optimal performance. Its profound anti-glare design, coupled with professional optics and precisely rounded spotlights, creates a visually comfortable and aesthetically pleasing lighting solution. The availability of multiple trim options allows for customization to suit various preferences and settings. Additionally, the inclusion of color consistency technology enhances the overall lighting experience, ensuring a uniform and harmonious color output.



	H (m)	E (lx)	D (cm)
24°			
20W	1	3092	49
4477cd	2	772	98
1300lm	3	343	148
UGR<13	4	193	197