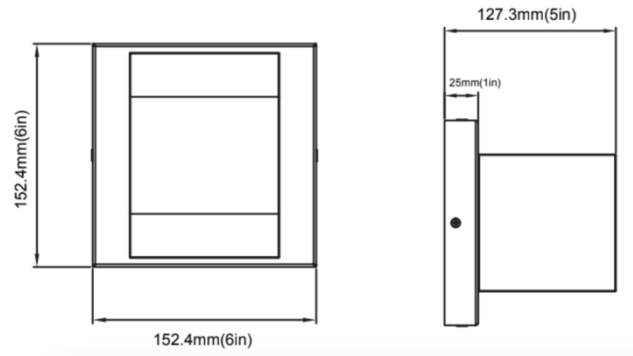


Series Name WL-05 Crystal Wall Sconce



Specification

CCT	27/30/35/40/50K
Beam Angle	110°
SDCM	SDCM≤7
Color Rendering Index	Ra≥80
Wattage	20W
Input Voltage	120VAC
Lumens	1600lm
Dimming option	Triac
Dimming range	10%~100%
Life span	50000H
Light Source Type	LED
Number of light sources	2
Mounting Type	Surface Mount
Product Dimension	L6*W5*H6in
Material	Aluminum, Plastic
Color	Black
Surface processes	Painting
Net Weight (Piece)	0.84kg
IP Rating	IP65

Description

Powder-coated finish featuring UV-resistant acrylic lens. Robust aluminum housing facilitates efficient heat dissipation. Choice between single CCT and multiple CCT options. Input of 120V/60Hz with built-in driver. Precision optics ensure maximum efficiency, delivering up to 70lm/W. cETLus listed for wet locations.