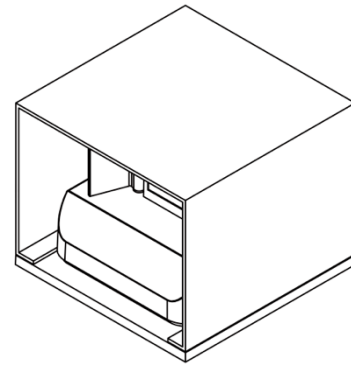


Series Name WL-04 Cube Wall Sconce



Specification

CCT	27/30/35/40/50K
Beam Angle	110°
SDCM	SDCM≤7
Color Rendering Index	Ra≥80
Wattage	15W
Input Voltage	120VAC
Lumens	750lm
Dimming option	Triac
Dimming range	10%~100%
Life span	50000H
Light Source Type	LED
Number of light sources	2
Mounting Type	Surface Mount
Product Dimension	L4.57*W4.57*H3.78 inch
Material	Aluminum, Plastic
Color	Black
Surface processes	Painting
Net Weight (Piece)	0.84kg
IP Rating	IP65

Description

The durable aluminum housing of this lighting fixture facilitates excellent heat dissipation, complemented by an up and down light design. Its corrosion and heat-resistant powder-coated finish ensures longevity. With options for single or multiple CCT selections, the fixture operates on a 120V/60Hz input with a built-in driver. Featuring precise optics for maximum efficiency, achieving up to 70lm/W, it allows for quick and simple installation, seamlessly surface mounting to most junction boxes. Engineered for reliability in any weather, it holds an IP65 weatherproof rating and is cETLus listed for wet locations.